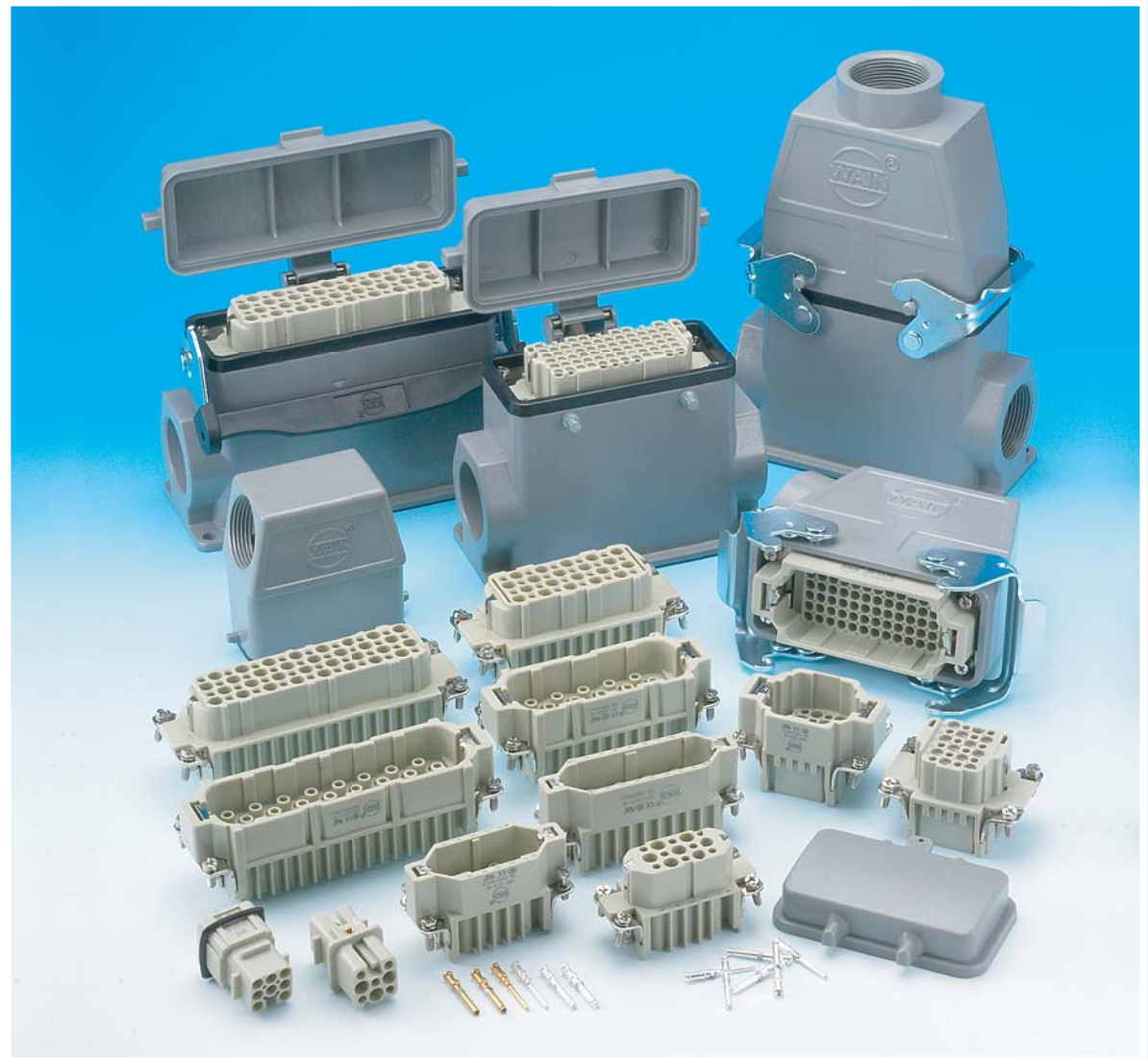


HD HDD系列 / HD HDD SERIES



HD HDD系列 / HD HDD SERIES

HDD系列 技术特性 HDD technical characteristics

HDD系列 技术特性

HDD technical characteristics



电流负载能力

Current carrying capacity

电流负载能力所受的限制主要来自包含接插针的接插体可承受的最大温度

The current carrying is limited by maximum temperature of materials for inserts and contacts including terminals

测试和控制过程依据DIN IEC 60512-3

Control and test procedures according to DIN IEC 60512-3

规范/Specifications

DIN VDE 0627

DIN VDE 0110

DIN EN 61984

插接体/Inserts

接插件针数/Number of contacts 24,42,72,108,144(2x72)
216(2x108)+PE

工作电流/working current
(见负载图/see current carrying capacity) 10A

工作电压/working voltage 250V
-Pollution degree 2 230/400V

污染等级/Pollution degree 3

额定脉冲耐受电压/Rated impulse voltage 4KV

绝缘电阻/Insulation resistance $\geq 10^{10} \Omega$

材料/Material Polycarbonate

工作温度范围/Temperature range -40°C... +125°C

阻燃等级 (UL94)/Flammability acc.to UL94 V0

据UL/CSA工作电压/working voltage acc.to UL/CSA 600V

可拔插次数/Mechanical working life(mating cycles) ≥ 500

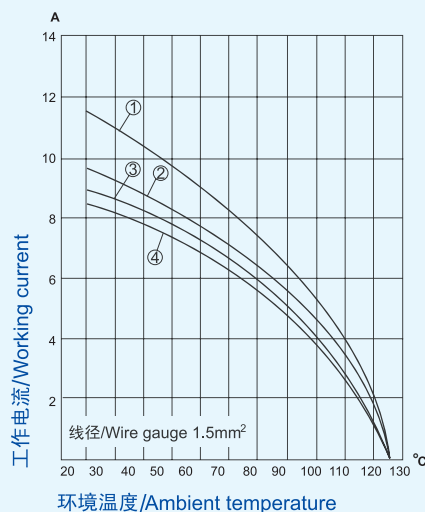
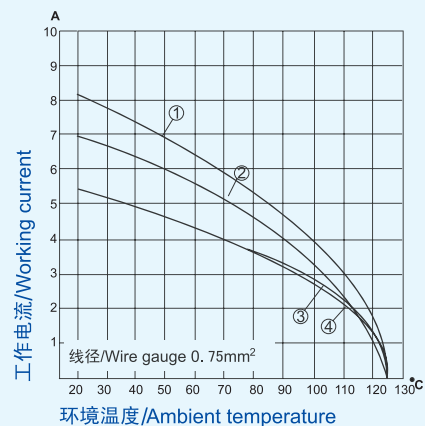
接插针/Contacts

材料/Material 铜/Copper alloy

表面处理/Surface 镀银/Hard silver-plated
镀金/Hard gold-plated

接触电阻/Contact resistance $\leq 3m \Omega$

接线形式/Terminal 冷压压接/Crimp terminal
导线规格/Wire gauge 0.14-2.5mm²
26-14

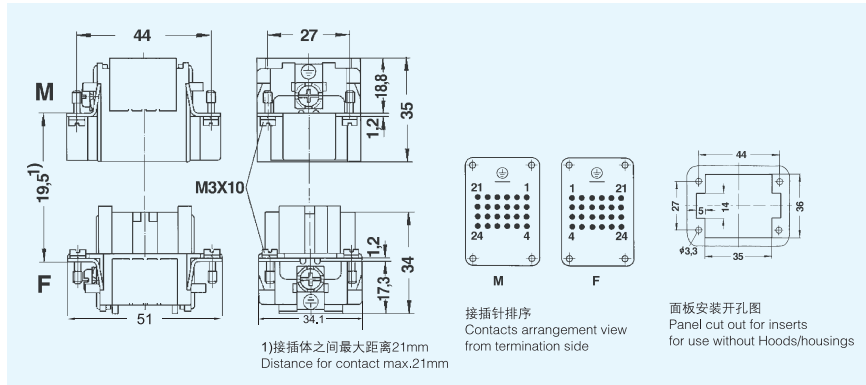


①HDD-024, ②HDD-042,
③HDD-072, ④HDD-0108

冷压连接/Crimp connection



HDD-024-MC HDD-024-FC



*冷压压接需另外订购10A冷压针详情请参见第128页。
*Crimp terminal should order contacts pins separately,
detail please find the page 128.

外壳详细参数见“外壳部分” Hoods/Housings detail on "Hoods/Housings" section * 高结构/high construction

2耳上壳、1扣下壳/Hoods with 2bolts & Housings with 1lever

上壳 Hood	螺纹 Thread	订货号 Order No.
	M20	H6B-SE-2B-M20
	PG13.5	H6B-SE-2B-PG13.5
	PG16	H6B-SE-2B-PG16

	*M25	H6B-SEH-2B-M25
	*M32	H6B-SEH-2B-M32
	*PG21	H6B-SEH-2B-PG21
	*PG29	H6B-SEH-2B-PG29

下壳 Housing	螺纹 Thread	订货号 Order No.
	无盖/Without Cover ---	H6B-BK-1L
	带塑料盖/With plastic Cover ¹⁾ ---	H6B-BK-1L-CV

	无盖/Without Cover	
	M20	H6B-SF-1L-M20
	2M20	H6B-SF-1L-2M20
	M25	H6B-SF-1L-M25
	2M25	H6B-SF-1L-2M25
	PG16	H6B-SF-1L-PG16
	2PG16	H6B-SF-1L-2PG16
	带塑料盖/With plastic Cover ¹⁾	
	M20	H6B-SF-1L-CV-M20
	2M20	H6B-SF-1L-CV-2M20

	无盖/Without Cover	
	*M25	H6B-SFH-1L-M25
	*2M25	H6B-SFH-1L-2M25
	*M32	H6B-SFH-1L-M32
	*PG21	H6B-SFH-1L-PG21
	*2PG21	H6B-SFH-1L-2PG21
	*PG29	H6B-SFH-1L-PG29
	带塑料盖/With plastic Cover ¹⁾	
	*M25	H6B-SFH-1L-CV-M25
	*2M25	H6B-SFH-1L-CV-2M25

上壳 Hood	螺纹 Thread	订货号 Order No.
	M20	H6B-TE-2B-M20
	PG13.5	H6B-TE-2B-PG13.5
	PG16	H6B-TE-2B-PG16

	*M25	H6B-TEH-2B-M25
	*M32	H6B-TEH-2B-M32
	*PG21	H6B-TEH-2B-PG21
	*PG29	H6B-TEH-2B-PG29
	*	H6B-TEH-2B

下壳 Housing	螺纹 Thread	订货号 Order No.
	M20	H6B-CCT-1L-M20
	PG13.5	H6B-CCT-1L-PG13.5
	PG16	H6B-CCT-1L-PG16

	*M25	H6B-CCTH-1L-M25
	*M32	H6B-CCTH-1L-M32
	*PG21	H6B-CCTH-1L-PG21
	*PG29	H6B-CCTH-1L-PG29

	---	H6B-CV-2C
--	-----	-----------

塑料盖/Plastic cover

1) 金属盖产品, 请用"MCV"替代产品型号中"CV"
FOR THE METAL COVER, PLS REPLACE THE CV WITH MCV IN THE PART NO.

250V/10A

Size 10B 42+⊕

插芯/Insert

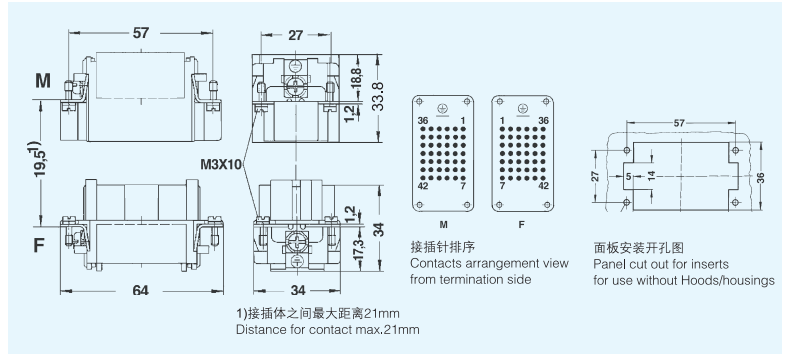
冷压连接/Crimp connection



HDD-042-MC HDD-042-FC



*冷压连接需另外订购10A冷压针详情请参见第128页。
*Crimp terminal should order contacts pins separately, detail please find the page 128.



外壳详细参数见“外壳部分” Hoods/Housings detail on "Hoods/Housings" section ★ 高结构/high construction

2耳上壳、1扣下壳/Hoods with 2bolts & Housings with 1lever

上壳 Hood	螺纹 Thread	订货号 Order No.
	M20 PG16	H10B-SE-2B-M20 H10B-SE-2B-PG16
	*M25 *M32 *PG21 *PG29	H10B-SEH-2B-M25 H10B-SEH-2B-M32 H10B-SEH-2B-PG21 H10B-SEH-2B-PG29
	M20 PG16	H10B-TE-2B-M20 H10B-TE-2B-PG16
	*M25 *M32 *PG21 *PG29 *--	H10B-TEH-2B-M25 H10B-TEH-2B-M32 H10B-TEH-2B-PG21 H10B-TEH-2B-PG29 H10B-TEH-2B

4耳上壳、2扣下壳/Hoods with 4bolts & Housings with 2levers

上壳 Hood	螺纹 Thread	订货号 Order No.
	M20 PG16	H10B-SE-4B-M20 H10B-SE-4B-PG16
	*M25 *M32 *PG21 *PG29	H10B-SEH-4B-M25 H10B-SEH-4B-M32 H10B-SEH-4B-PG21 H10B-SEH-4B-PG29
	M20 PG16	H10B-TE-4B-M20 H10B-TE-4B-PG16
	*M25 *M32 *PG21 *PG29 *--	H10B-TEH-4B-M25 H10B-TEH-4B-M32 H10B-TEH-4B-PG21 H10B-TEH-4B-PG29 H10B-TEH-4B

2扣上壳、4耳下壳/Hoods with 2levers & Housings with 4bolts

上壳 Hood	螺纹 Thread	订货号 Order No.
	M20 PG16	H10B-SE-2L-M20 H10B-SE-2L-PG16
	*M25 *M32 *PG21 *PG29	H10B-SEH-2L-M25 H10B-SEH-2L-M32 H10B-SEH-2L-PG21 H10B-SEH-2L-PG29
	M20 PG16	H10B-TE-2L-M20 H10B-TE-2L-PG16
	*M25 *M32 *PG21 *PG29	H10B-TEH-2L-M25 H10B-TEH-2L-M32 H10B-TEH-2L-PG21 H10B-TEH-2L-PG29

下壳
Housing

下壳 Housing	螺纹 Thread	订货号 Order No.
	无盖/Without Cover H10B-BK-1L 带塑料盖/With plastic Cover ¹⁾ --	H10B-BK-1L H10B-BK-1L-CV
	无盖/Without Cover M20 2M20 M25 PG16 2PG16 2PG16 带塑料盖/With plastic Cover ¹⁾	H10B-SF-1L-M20 H10B-SF-1L-2M20 H10B-SF-1L-M25 H10B-SF-1L-PG16 H10B-SF-1L-2PG16 H10B-SF-1L-CV-M20 H10B-SF-1L-CV-2M20 H10B-SF-1L-CV-M25 H10B-SF-1L-CV-PG16 H10B-SF-1L-CV-2PG16
	无盖/Without Cover *M25 *2M25 *M32 *PG21 *2PG21 *PG29 带塑料盖/With plastic Cover ¹⁾ *M25 *2M25 *M32 *PG21 *2PG21 *PG29	H10B-SFH-1L-M25 H10B-SFH-1L-2M25 H10B-SFH-1L-M32 H10B-SFH-1L-PG21 H10B-SFH-1L-2PG21 H10B-SFH-1L-PG29 H10B-SFH-1L-CV-M25 H10B-SFH-1L-CV-2M25 H10B-SFH-1L-CV-M32 H10B-SFH-1L-CV-PG21 H10B-SFH-1L-CV-2PG21 H10B-SFH-1L-CV-PG29
	M20 PG16	H10B-CCT-1L-M20 H10B-CCT-1L-PG16
	*M25 *M32 *PG21 *PG29	H10B-CCTH-1L-M25 H10B-CCTH-1L-M32 H10B-CCTH-1L-PG21 H10B-CCTH-1L-PG29

下壳
Housing

下壳 Housing	螺纹 Thread	订货号 Order No.
	--	H10B-BK-2L
	M20 2M20 M25 PG16 2PG16	H10B-SF-2L-M20 H10B-SF-2L-2M20 H10B-SF-2L-M25 H10B-SF-2L-PG16 H10B-SF-2L-2PG16
	*M25 *2M25 *M32 *PG21 *2PG21 *PG29	H10B-SFH-2L-M25 H10B-SFH-2L-2M25 H10B-SFH-2L-M32 H10B-SFH-2L-PG21 H10B-SFH-2L-2PG21 H10B-SFH-2L-PG29
	M20 PG16	H10B-CCT-2L-M20 H10B-CCT-2L-PG16
	*M25 *M32 *PG21 *PG29	H10B-CCTH-2L-M25 H10B-CCTH-2L-M32 H10B-CCTH-2L-PG21 H10B-CCTH-2L-PG29

下壳
Housing

下壳 Housing	螺纹 Thread	订货号 Order No.
	无盖/Without Cover -- 带塑料盖/With plastic Cover ¹⁾ --	H10B-BK-4B H10B-BK-4B-CV
	无盖/Without Cover M20 2M20 M25 PG16 2PG16 带塑料盖/With plastic Cover ¹⁾	H10B-SF-4B-M20 H10B-SF-4B-2M20 H10B-SF-4B-M25 H10B-SF-4B-PG16 H10B-SF-4B-2PG16 H10B-SF-4B-CV-M20 H10B-SF-4B-CV-2M20 H10B-SF-4B-CV-M25 H10B-SF-4B-CV-PG16 H10B-SF-4B-CV-2PG16
	无盖/Without Cover *M25 *2M25 *M32 *PG21 *2PG21 *PG29 带塑料盖/With plastic Cover ¹⁾ *M25 *2M25 *M32 *PG21 *2PG21 *PG29	H10B-SFH-4B-M25 H10B-SFH-4B-2M25 H10B-SFH-4B-M32 H10B-SFH-4B-PG21 H10B-SFH-4B-2PG21 H10B-SFH-4B-PG29 H10B-SFH-4B-CV-M25 H10B-SFH-4B-CV-2M25 H10B-SFH-4B-CV-M32 H10B-SFH-4B-CV-PG21 H10B-SFH-4B-CV-2PG21 H10B-SFH-4B-CV-PG29
	M20 PG16	H10B-CV-4B/1 H10B-CV-4B/2
	--	H10B-CV-4C

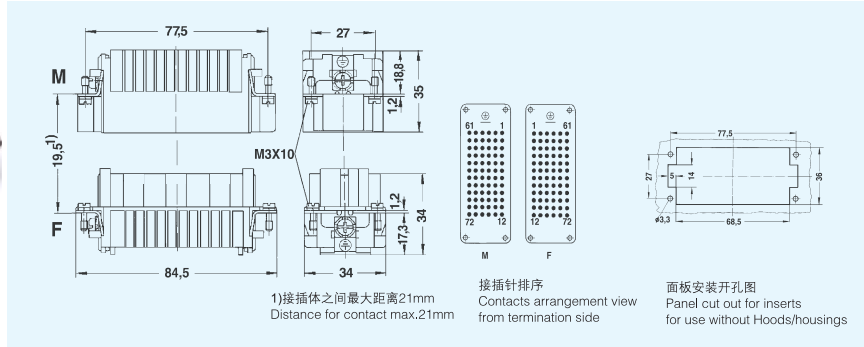
1)金属盖产品，请用“MCV”替代产品型号中“CV”
FOR THE METAL COVER,PLS REPLACE THE CV WITH MCV IN THE PART NO.

冷压连接/Crimp connection



HDD-072-MC

HDD-072-FC



*冷压连接需另外订购10A冷压针详情请参见第128页。
*Crimp terminal should order contacts pins separately,
detail please find the page 128.

外壳详细参数见“外壳部分” Hoods/Housings detail on "Hoods/Housings" section *高结构/high construction

2耳上壳、1扣下壳/Hoods with 2bolts & Housings with 1lever

上壳 Hood	螺纹 Thread	订货号 Order No.
	M25 PG21	H16B-SE-2B-M25 H16B-SE-2B-PG21
	*M32 *M40 *PG21 *PG29	H16B-SEH-2B-M32 H16B-SEH-2B-M40 H16B-SEH-2B-PG21 H16B-SEH-2B-PG29
	M25 PG21	H16B-TE-2B-M25 H16B-TE-2B-PG21
	*M32 *M40 *PG21 *PG29 --	H16B-TEH-2B-M32 H16B-TEH-2B-M40 H16B-TEH-2B-PG21 H16B-TEH-2B-PG29 H16B-TEH-2B

4耳上壳、2扣下壳/Hoods with 4bolts & Housings with 2levers

上壳 Hood	螺纹 Thread	订货号 Order No.
	M25 PG21	H16B-SE-4B-M25 H16B-SE-4B-PG21
	*M32 *M40 *PG21 *PG29	H16B-SEH-4B-M32 H16B-SEH-4B-M40 H16B-SEH-4B-PG21 H16B-SEH-4B-PG29
	M25 PG21	H16B-TE-4B-M25 H16B-TE-4B-PG21
	*M32 *M40 *PG21 *PG29 --	H16B-TEH-4B-M32 H16B-TEH-4B-M40 H16B-TEH-4B-PG21 H16B-TEH-4B-PG29 H16B-TEH-4B

2扣上壳、4耳下壳/Hoods with 2levers & Housings with 4bolts

上壳 Hood	螺纹 Thread	订货号 Order No.
	M25 PG21	H16B-SE-2L-M25 H16B-SE-2L-PG21
	*M32 *M40 *PG21 *PG29	H16B-SEH-2L-M32 H16B-SEH-2L-M40 H16B-SEH-2L-PG21 H16B-SEH-2L-PG29
	M25 PG21	H16B-TE-2L-M25 H16B-TE-2L-PG21
	*M32 *M40 *PG21 *PG29	H16B-TEH-2L-M32 H16B-TEH-2L-M40 H16B-TEH-2L-PG21 H16B-TEH-2L-PG29

下壳
Housing

下壳 Housing	螺纹 Thread	订货号 Order No.
	无盖/Without Cover -- 带塑料盖/With plastic Cover ¹⁾ --	H16B-BK-1L H16B-BK-1L-CV
	无盖/Without Cover M25 2M25 PG21 2PG21 带塑料盖/With plastic Cover ¹⁾ M25 2M25 PG21 2PG21	H16B-SF-1L-M25 H16B-SF-1L-2M25 H16B-SF-1L-PG21 H16B-SF-1L-2PG21 H16B-SF-1L-CV-M25 H16B-SF-1L-CV-2M25 H16B-SF-1L-CV-PG21 H16B-SF-1L-CV-2PG21
	无盖/Without Cover *M32 *2M32 *PG21 *2PG21 *PG29 *2PG29 带塑料盖/With plastic Cover ¹⁾ *M32 *2M32 *PG21 *2PG21 *PG29 *2PG29	H16B-SFH-1L-M32 H16B-SFH-1L-2M32 H16B-SFH-1L-PG21 H16B-SFH-1L-2PG21 H16B-SFH-1L-PG29 H16B-SFH-1L-2PG29 H16B-SFH-1L-CV-M32 H16B-SFH-1L-CV-2M32 H16B-SFH-1L-CV-PG21 H16B-SFH-1L-CV-2PG21 H16B-SFH-1L-CV-PG29 H16B-SFH-1L-CV-2PG29
	M25 PG21	H16B-CCT-1L-M25 H16B-CCT-1L-PG21
	*M32 *M40 *PG21 *PG29	H16B-CCTH-1L-M32 H16B-CCTH-1L-M40 H16B-CCTH-1L-PG21 H16B-CCTH-1L-PG29

下壳
Housing

下壳 Housing	螺纹 Thread	订货号 Order No.
	--	H16B-BK-2L
	M25 2M25 PG21 2PG21	H16B-SF-2L-M25 H16B-SF-2L-2M25 H16B-SF-2L-PG21 H16B-SF-2L-2PG21
	*M32 *2M32 *PG21 *2PG21 *PG29 *2PG29	H16B-SFH-2L-M32 H16B-SFH-2L-2M32 H16B-SFH-2L-PG21 H16B-SFH-2L-2PG21 H16B-SFH-2L-PG29 H16B-SFH-2L-2PG29
	M25 PG21	H16B-CCT-2L-M25 H16B-CCT-2L-PG21
	*M32 *M40 *PG21 *PG29	H16B-CCTH-2L-M32 H16B-CCTH-2L-M40 H16B-CCTH-2L-PG21 H16B-CCTH-2L-PG29

下壳
Housing

下壳 Housing	螺纹 Thread	订货号 Order No.
	无盖/Without Cover -- 带塑料盖/With plastic Cover ¹⁾ --	H16B-BK-4B H16B-BK-4B-CV
	无盖/Without Cover M25 2M25 PG21 2PG21 带塑料盖/With plastic Cover ¹⁾ M25 2M25 PG21 2PG21	H16B-SF-4B-M25 H16B-SF-4B-2M25 H16B-SF-4B-PG21 H16B-SF-4B-2PG21 H16B-SF-4B-CV-M25 H16B-SF-4B-CV-2M25 H16B-SF-4B-CV-PG21 H16B-SF-4B-CV-2PG21
	无盖/Without Cover *M32 *2M32 *PG21 *2PG21 *PG29 *2PG29 带塑料盖/With plastic Cover ¹⁾ *M32 *2M32 *PG21 *2PG21 *PG29 *2PG29	H16B-SFH-4B-M32 H16B-SFH-4B-2M32 H16B-SFH-4B-PG21 H16B-SFH-4B-2PG21 H16B-SFH-4B-PG29 H16B-SFH-4B-2PG29 H16B-SFH-4B-CV-M32 H16B-SFH-4B-CV-2M32 H16B-SFH-4B-CV-PG21 H16B-SFH-4B-CV-2PG21 H16B-SFH-4B-CV-PG29 H16B-SFH-4B-CV-2PG29
	M25 PG21	H16B-CV-4B/1 H16B-CV-4B/2
	--	H16B-CV-4C

1) 金属盖产品, 请用“MCV”替代产品型号中“CV”
FOR THE METAL COVER, PLS REPLACE THE CV WITH MCV IN THE PART NO.

250V/10A

Size 24B 108+⊕

插芯/Insert

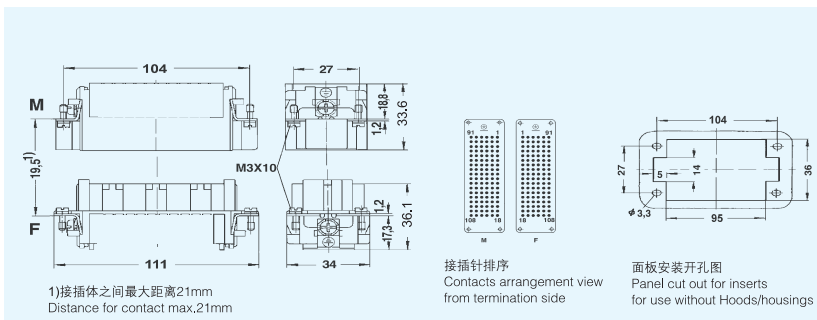
冷压连接/Crimp connection



HDD-108-MC



HDD-108-FC



*冷压连接需另外订购10A冷压针详情请参见第128页。
*Crimp terminal should order contacts pins separately,
detail please find the page 128.

外壳详细参数见“外壳部分” Hoods/Housings detail on "Hoods/Housings" section ★高结构/high construction

2耳上壳、1扣下壳/Hoods with 2bolts & Housings with 1lever

上壳 Hood	螺纹 Thread	订货号 Order No.
	M25 M32 PG21	H24B-SE-2B-M25 H24B-SE-2B-M32 H24B-SE-2B-PG21
	*M32 *M40 *PG21 *PG29	H24B-SEH-2B-M32 H24B-SEH-2B-M40 H24B-SEH-2B-PG21 H24B-SEH-2B-PG29
	M25 PG21	H24B-TE-2B-M25 H24B-TE-2B-PG21
	*M32 *M40 *PG21 *PG29 *—	H24B-TEH-2B-M32 H24B-TEH-2B-M40 H24B-TEH-2B-PG21 H24B-TEH-2B-PG29 H24B-TEH-2B

4耳上壳、2扣下壳/Hoods with 4bolts & Housings with 2levers

上壳 Hood	螺纹 Thread	订货号 Order No.
	M25 M32 PG21	H24B-SE-4B-M25 H24B-SE-4B-M32 H24B-SE-4B-PG21
	*M32 *M40 *PG21 *PG29	H24B-SEH-4B-M32 H24B-SEH-4B-M40 H24B-SEH-4B-PG21 H24B-SEH-4B-PG29
	M25 PG21	H24B-TE-4B-M25 H24B-TE-4B-PG21
	*M32 *M40 *PG21 *PG29 *—	H24B-TEH-4B-M32 H24B-TEH-4B-M40 H24B-TEH-4B-PG21 H24B-TEH-4B-PG29 H24B-TEH-4B

2扣上壳、4耳下壳/Hoods with 2levers & Housings with 4bolts

上壳 Hood	螺纹 Thread	订货号 Order No.
	M25 M32 PG21	H24B-SE-2L-M25 H24B-SE-2L-M32 H24B-SE-2L-PG21
	*M32 *M40 *PG21 *PG29	H24B-SEH-2L-M32 H24B-SEH-2L-M40 H24B-SEH-2L-PG21 H24B-SEH-2L-PG29
	M25 PG21	H24B-TE-2L-M25 H24B-TE-2L-PG21
	*M32 *M40 *PG21 *PG29	H24B-TEH-2L-M32 H24B-TEH-2L-M40 H24B-TEH-2L-PG21 H24B-TEH-2L-PG29

下壳
Housing

下壳 Housing	螺纹 Thread	订货号 Order No.
	无盖/Without Cover — 带塑料盖/With plastic Cover ¹⁾ —	H24B-BK-1L H24B-BK-1L-CV
	无盖/Without Cover M25 2M25 PG21 2PG21 带塑料盖/With plastic Cover ¹⁾ M25 2M25 PG21 2PG21	H24B-SF-1L-M25 H24B-SF-1L-2M25 H24B-SF-1L-PG21 H24B-SF-1L-2PG21 H24B-SF-1L-CV-M25 H24B-SF-1L-CV-2M25 H24B-SF-1L-CV-PG21 H24B-SF-1L-CV-2PG21
	无盖/Without Cover *M32 *2M32 *PG21 *2PG21 *PG29 *2PG29 带塑料盖/With plastic Cover ¹⁾ *M32 *2M32 *PG21 *2PG21 *PG29 *2PG29	H24B-SFH-1L-M32 H24B-SFH-1L-2M32 H24B-SFH-1L-PG21 H24B-SFH-1L-2PG21 H24B-SFH-1L-PG29 H24B-SFH-1L-2PG29 H24B-SFH-1L-CV-M32 H24B-SFH-1L-CV-2M32 H24B-SFH-1L-CV-PG21 H24B-SFH-1L-CV-2PG21 H24B-SFH-1L-CV-PG29 H24B-SFH-1L-CV-2PG29
	M25 PG21	H24B-CCT-1L-M25 H24B-CCT-1L-PG21
	*M32 *M40 *PG21 *PG29	H24B-CCTH-1L-M32 H24B-CCTH-1L-M40 H24B-CCTH-1L-PG21 H24B-CCTH-1L-PG29

下壳
Housing

下壳 Housing	螺纹 Thread	订货号 Order No.
	—	H24B-BK-2L
	M25 2M25 PG21 2PG21	H24B-SF-2L-M25 H24B-SF-2L-2M25 H24B-SF-2L-PG21 H24B-SF-2L-2PG21
	*M32 *2M32 *PG21 *2PG21 *PG29 *2PG29	H24B-SFH-2L-M32 H24B-SFH-2L-2M32 H24B-SFH-2L-PG21 H24B-SFH-2L-2PG21 H24B-SFH-2L-PG29 H24B-SFH-2L-2PG29
	M25 PG21	H24B-CCT-2L-M25 H24B-CCT-2L-PG21
	*M32 *M40 *PG21 *PG29	H24B-CCTH-2L-M32 H24B-CCTH-2L-M40 H24B-CCTH-2L-PG21 H24B-CCTH-2L-PG29

下壳
Housing

下壳 Housing	螺纹 Thread	订货号 Order No.
	无盖/Without Cover — 带塑料盖/With plastic Cover ¹⁾ —	H24B-BK-4B H24B-BK-4B-CV
	无盖/Without Cover M25 2M25 PG21 2PG21 带塑料盖/With plastic Cover ¹⁾ M25 2M25 PG21 2PG21	H24B-SF-4B-M25 H24B-SF-4B-2M25 H24B-SF-4B-PG21 H24B-SF-4B-2PG21 H24B-SF-4B-CV-M25 H24B-SF-4B-CV-2M25 H24B-SF-4B-CV-PG21 H24B-SF-4B-CV-2PG21
	无盖/Without Cover *M32 *2M32 *PG21 *2PG21 *PG29 *2PG29 带塑料盖/With plastic Cover ¹⁾ *M32 *2M32 *PG21 *2PG21 *PG29 *2PG29	H24B-SFH-4B-M32 H24B-SFH-4B-2M32 H24B-SFH-4B-PG21 H24B-SFH-4B-2PG21 H24B-SFH-4B-PG29 H24B-SFH-4B-2PG29 H24B-SFH-4B-CV-M32 H24B-SFH-4B-CV-2M32 H24B-SFH-4B-CV-PG21 H24B-SFH-4B-CV-2PG21 H24B-SFH-4B-CV-PG29 H24B-SFH-4B-CV-2PG29
	M25 PG21	H24B-CV-4B/1 H24B-CV-4B/2
	—	H24B-CV-4C

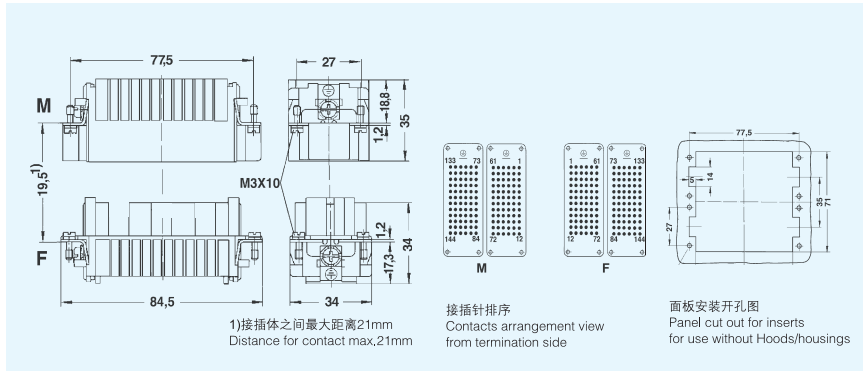
1) 金属盖产品，请用“MCV”替代产品型号中“CV”
FOR THE METAL COVER, PLS REPLACE THE CV WITH MCV IN THE PART NO.

冷压连接/Crimp connection



HDD-144-MC

HDD-144-FC



*冷压连接需另外订购10A冷压针详情请参见第128页。
*Crimp terminal should order contacts pins separately, detail please find the page 128.

外壳详细参数见“外壳部分” Hoods/Housings detail on "Hoods/Housings" section

2耳上壳、1扣下壳/Hoods with 2bolts & Housings with 1lever

上壳 Hood	螺纹 Thread	订货号 Order No.
	M32	H32B-SE-2B-M32
	PG29	H32B-SE-2B-PG29
	M32	H32B-TE-2B-M32
	M40	H32B-TE-2B-M40
	M50	H32B-TE-2B-M50
	PG29	H32B-TE-2B-PG29
	PG36	H32B-TE-2B-PG36
	PG42	H32B-TE-2B-PG42

4耳上壳、2扣下壳/Hoods with 4bolts & Housings with 2levers

上壳 Hood	螺纹 Thread	订货号 Order No.
	M32	H32B-SE-4B-M32
	M40	H32B-SE-4B-M40
	PG29	H32B-SE-4B-PG29
	PG36	H32B-SE-4B-PG36
	M32	H32B-TE-4B-M32
	M40	H32B-TE-4B-M40
	M50	H32B-TE-4B-M50
	PG29	H32B-TE-4B-PG29
	PG36	H32B-TE-4B-PG36
	PG42	H32B-TE-4B-PG42

下壳 Housing	螺纹 Thread	订货号 Order No.
	无盖/Without Cover —	H32B-BK-1L
	带塑料盖/With plastic Cover ¹⁾ —	H32B-BK-1L-CV
	无盖/Without Cover	
	M32	H32B-SF-1L-M32
	2M32	H32B-SF-1L-2M32
	M40	H32B-SF-1L-M40
	2M40	H32B-SF-1L-2M40
	PG29	H32B-SF-1L-PG29
	2PG29	H32B-SF-1L-2PG29
	PG36	H32B-SF-1L-PG36
	2PG36	H32B-SF-1L-2PG36
	PG42	H32B-SF-1L-PG42
	带塑料盖/With plastic Cover ¹⁾	
	M32	H32B-SF-1L-CV-M32
	2M32	H32B-SF-1L-CV-2M32
	M40	H32B-SF-1L-CV-M40
	2M40	H32B-SF-1L-CV-2M40
	PG29	H32B-SF-1L-CV-PG29
	2PG29	H32B-SF-1L-CV-2PG29
	PG36	H32B-SF-1L-CV-PG36
2PG36	H32B-SF-1L-CV-2PG36	
PG42	H32B-SF-1L-CV-PG42	

下壳 Housing	螺纹 Thread	订货号 Order No.
	—	H32B-BK-2L
	M32	H32B-SF-2L-M32
	2M32	H32B-SF-2L-2M32
	M40	H32B-SF-2L-M40
	2M40	H32B-SF-2L-2M40
	PG29	H32B-SF-2L-PG29
	2PG29	H32B-SF-2L-2PG29
	PG36	H32B-SF-2L-PG36
	2PG36	H32B-SF-2L-2PG36
	PG42	H32B-SF-2L-PG42
	M32	H32B-CCT-2L-M32
	M40	H32B-CCT-2L-M40
	M50	H32B-CCT-2L-M50
	PG29	H32B-CCT-2L-PG29
	PG36	H32B-CCT-2L-PG36
	PG42	H32B-CCT-2L-PG42

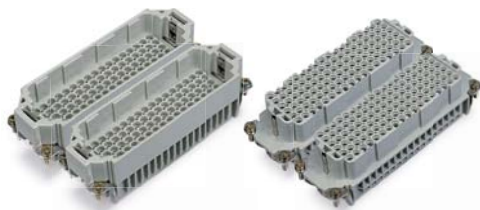
1) 金属盖产品，请用“MCV”替代产品型号中“CV”
FOR THE METAL COVER, PLS REPLACE THE CV WITH MCV IN THE PART NO.

250V/10A

Size 48B 216+⊕

插芯/Insert

冷压连接/Crimp connection

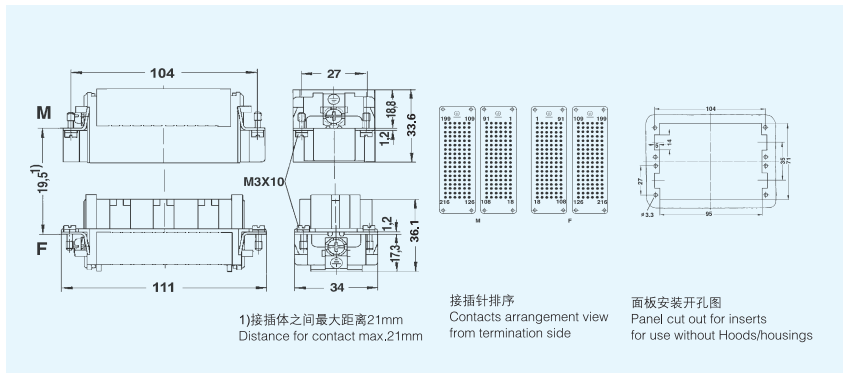


HDD-216-MC

HDD-216-FC



*冷压压接需另外订购10A冷压针详情请参见第128页。
*Crimp terminal should order contacts pins separately, detail please find the page 128.



外壳详细参数见“外壳部分” Hoods/Housings detail on "Hoods/Housings" section

2耳上壳、1扣下壳/Hoods with 2bolts & Housings with 1lever

上壳 Hood	螺纹 Thread	订货号 Order No.
	M32	H48B-SE-2B-M32
	M40	H48B-SE-2B-M40
	M50	H48B-SE-2B-M50
	PG29	H48B-SE-2B-PG29
	PG36	H48B-SE-2B-PG36
	PG42	H48B-SE-2B-PG42
	M32	H48B-TE-2B-M32
	M40	H48B-TE-2B-M40
	M50	H48B-TE-2B-M50
	PG29	H48B-TE-2B-PG29
PG36	H48B-TE-2B-PG36	
PG42	H48B-TE-2B-PG42	

下壳 Housing	螺纹 Thread	订货号 Order No.
	无盖/Without Cover ---	H48B-BK-1L
	带塑料盖/With plastic Cover ¹⁾ ---	H48B-BK-1L-CV
	无盖/Without Cover	
	2M32	H48B-SF-1L-2M32
	M40	H48B-SF-1L-M40
	2M40	H48B-SF-1L-2M40
	M50	H48B-SF-1L-M50
	2M50	H48B-SF-1L-2M50
	PG29	H48B-SF-1L-PG29
	2PG29	H48B-SF-1L-2PG29
	PG36	H48B-SF-1L-PG36
	2PG36	H48B-SF-1L-2PG36
	2PG42	H48B-SF-1L-2PG42
	带塑料盖/With plastic Cover ¹⁾	
	2M32	H48B-SF-1L-CV-2M32
	M40	H48B-SF-1L-CV-M40
	2M40	H48B-SF-1L-CV-2M40
	M50	H48B-SF-1L-CV-M50
	2M50	H48B-SF-1L-CV-2M50
	PG29	H48B-SF-1L-CV-PG29
	2PG29	H48B-SF-1L-CV-2PG29
	PG36	H48B-SF-1L-CV-PG36
	2PG36	H48B-SF-1L-CV-2PG36
2PG42	H48B-SF-1L-CV-2PG42	

1) 金属盖产品，请用“MCV”替代产品型号中“CV”
FOR THE METAL COVER, PLS REPLACE THE CV WITH MCV IN THE PART NO.